

TURNTABLE

The **Turntable** makes car turning easy in areas where maneuvering space is restricted. In all areas where it is only possible to drive forwards or where place for parking maneuvers is restricted, the vehicle is simply rotated into the desired parking position with Turntable.

Turntable rotation constitutes the ideal solution in the event of narrow and limited parking space entries and exits.

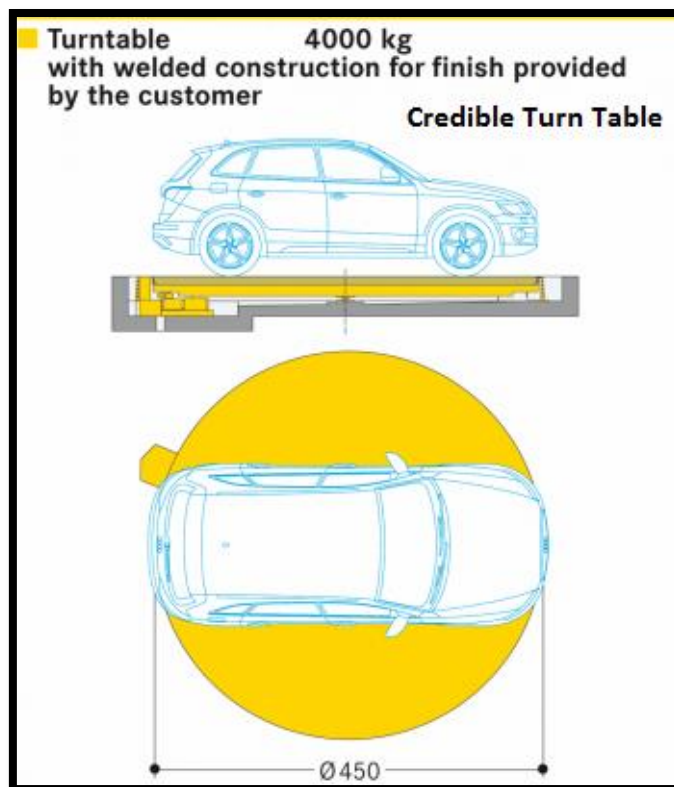
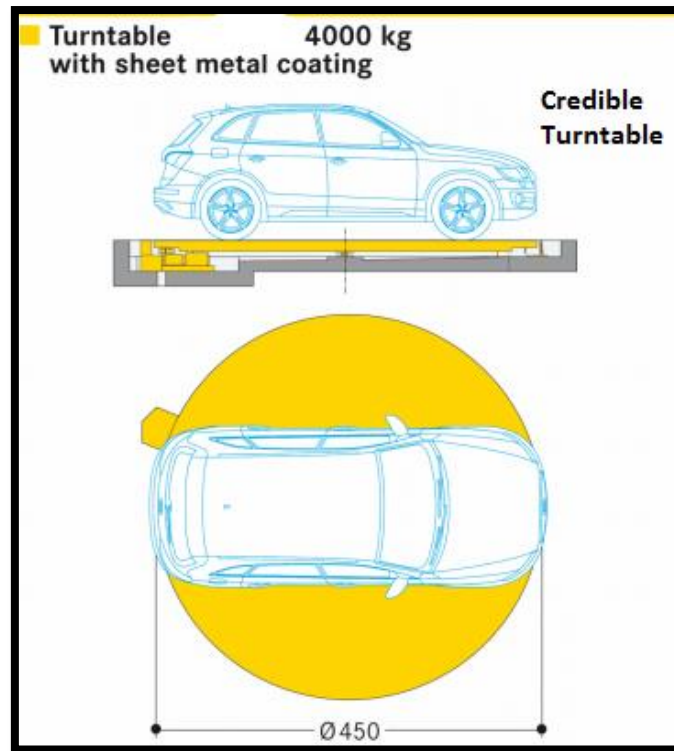
Turntables are used in order to avoid maneuvering causing pollution, to fulfill safety regulations, e.g. where cars are only allowed to drive in forward direction, and/or the traffic area for a U-turn is not available. For dimensions please see data sheet Turntable. Operation at an operating device with hold-to-run principle, which is mounted either on columns or in the local entrance area.

The turntable moves around a central storage which is mounted on the floor. The turntable is driven on the outer ring by a friction gear and supported by ball bearing plastic rollers. Top edge turntable is level with floor.



Product Variants : Credible Turntable (CT) – Customized are being manufactured as per customer loading criteria & space requirements.

1. CT-Sheet Metal Type -2500kg
2. CT-Sheet Metal Type -3000kg
3. CT-Sheet Metal Type -4000kg
4. CT-Sheet Metal Type -4500kg
5. CT- Welded Type- 2500 kg
6. CT- Welded Type- 3000 kg
7. CT- Welded Type- 4000 kg
8. CT- Welded Type- 4500 kg
9. CT- Customized



4000 Kg Sheet Metal Coated Turntable of dia 450cm

Advantages :

- For narrow and limited access
- 360°rotation right / left
- Load up to 4,0 t
- System security area of $\text{Ø} 5,60$ m for car length 5,00 m

Components : Border consisting of: Ring-shaped outer frame with support blocks for plastic rollers and consisting of 5 ring segments, 1 drive segment and a service point for the counter-roller.

Turntable with a metal surface consisting of: 1 central bearing; tubular construction with running surfaces; cover plates (dimple plate); maintenance points for motor and support blocks (turntable features galvanized dimple plate as standard; stainless steel dimple plate available at additional cost). Max. permissible vehicle weight 4000 kg (wheel load max. 1000 kg).

Turntable with a 10 cm deep tray for installation in the existing, installation-site subsurface flooring and consisting of: 1 central bearing; tubular construction with running surfaces; tray with an outer ring approx. 10 cm in height; service points for motor and support blocks. Max. permissible vehicle weight 4000 kg (wheel load max. 1000 kg) plus additional installation-site subsurface flooring with a max. weight of 250 kg/m² to the upper edge of the tray.

Drive unit consisting of: 1 gear brake motor, 0.55 kW, 400 Volt, 50 Hz; turntable rotary speed approx. 0.25 m/sec; friction gear drive with spring-adjustable pressure force. The friction gear drive is accessible via a service point in the turntable.

Standards : Our Car Parking Systems are machines according to the Council Guideline governing machinery 2006/42/EC, Annex 1 and EN 14010.

Corrosion Protection : All structural components and drive-on plates are hot-dip galvanised compliant to DIN EN ISO 1461. For details please see enclosed information Surface protection 2014, No. 023-0024.

To be provided by Customer :

1. Electric work according to enclosed data sheet Turntable (supply lines with lockable main switch to the switch cabinet)
2. Acceptance by authorized inspector, if required together with a fitter, if not included in offer
3. Additional corrosion protection, if required by architect/customer
4. Floor recess as well as delivery and assembly of empty pipes according to detailed instructions Ring-shaped border mounted by the manufacturer has to be covered with concrete
5. Outdoor installation of this product is possible. If local climate conditions experience temperatures below 0 degrees Celsius, it is a requirement for the pit edges to be heated for outdoor installations (heating is provided by the customer)
6. Drainage (mandatory when used outdoors)

Notes : If DIN 4109 "*Sound protection in structural engineering*" must be met, requirements must be met on site: separate foundation of construction body. Please contact us.